

GTDU - U-BOLT GROUNDING CLAMP (1 CONDUCTOR)

GTDU 1.1/4" IPS 2/0-250

Description

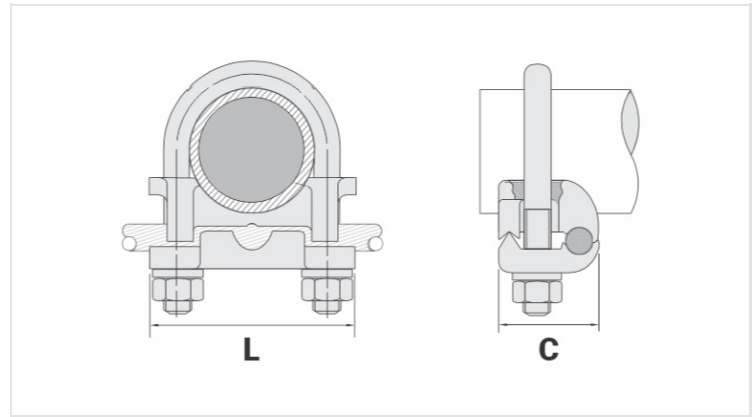
Purpose: Connection between ground rod to cable or IPS tube-cable. Suitable for COPPERSTEEL or copper cables.

Characteristics: Tightening connection. High electrical conductivity and corrosion resistant. It allows you to connect a cable, at 90° in relation to the rod / IPS tube.

Application: Grounding systems in general (power distribution systems, grounding grids, residential, building and industrial grounding, grounding in telecommunication networks, grounding in substations).

Material: Copper alloy clamp, fittings in copper alloy or electrolytic zinc plated steel.

Application Tool: Spanner set or open-ended wrench.



Datasheet

Conductor

| | |
|-----------------|-----------|
| AWG/MCM | 2/0 - 250 |
| mm ² | 70 - 120 |

Ground Rod Nominal Diameter (inches)

-

IPS Tube

1,1/4"

Accessory Material

Dimensions

| | |
|--------------|------|
| L | 77,0 |
| A | |
| C | 47,0 |
| Parafuso "U" | M10 |
| Figura | 1 |

Package

| | |
|----------------|--|
| Qtd / Emb | |
| Peso Unit. (g) | |