

GTDU2C - U-BOLT GROUNDING CLAMP (2 CONDUCTORS)

GTDU2C 2" IPS 4-2/0

Description

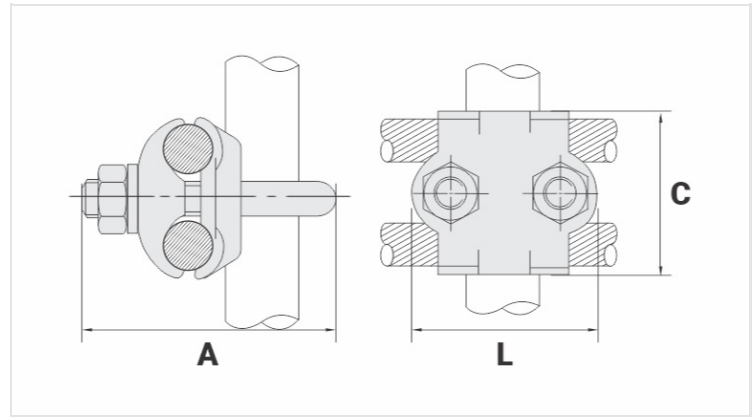
Purpose: Connection between ground rod to cable or IPS tube-cable. Suitable for COPPERSTEEL or copper cables.

Characteristics: Tightening connection. High electrical conductivity and corrosion resistant. It allows you to connect two parallel cables.

Application: Grounding systems in general (power distribution systems, grounding grids, residential, building and industrial grounding, grounding in telecommunication networks, grounding in substations).

Material: Copper alloy clamp, fittings in copper alloy or electrolytic zinc plated steel.

Application Tool: Spanner set or open-ended wrench.



Datasheet

Conductor

AWG/MCM 4 - 2/0

mm² 16 - 70

Ground Rod Nominal Diameter (inches)

-

IPS Tube

2"

Accessory Material

Dimensions (mm)

L 96,0

A 109,5

C 51,0

Screw "U" M10

Figure 2

Package

Qty. / Package

Unit Weight (g)