

**TM - COPPER COMPRESSION TERMINAL (ONE HOLE / SHORT BARREL)**

TM-2,5-6

**Description**

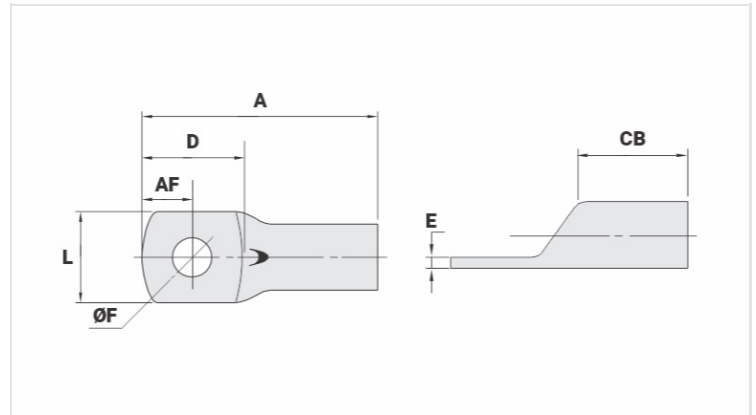
**Purpose:** Termination of copper conductors.

**Characteristics:** High electrical conductivity and corrosion resistance. Pad with several hole diameter options and optimum electrical contact.

**Applications:** Electrical panels, circuit breaker connections, motors, machines, busbars, electrical distribution boards, among others.

**Material:** Electrolytic copper.

**Finish:** Tin plated.



**Datasheet**

**Conductors - Cross Section (mm<sup>2</sup>)**

1 - 2,5

**Dimensions (mm)**

Hole Diameter (mm)

6,5

Screw\*

Inches

3/16 / -

Metric

M5 / M6

L

8,0

A

19,0

CB

5,5

AF

4,8

D

10,0

E

1,0

**Current (A)**

41

**Application Tool**

Mechanical Pliers

Model

AT-10

Die (AT-60)

-

Hydraulic Pliers (AY/CY/AHM/AHB)

Circunferencial Die

-

Hexagonal Die

-

**Package**

Qty. / Package

100

Unit Weight (g)

0,90