

**TM - COPPER COMPRESSION TERMINAL (ONE HOLE / SHORT BARREL)**

TM-10-8

**Description**

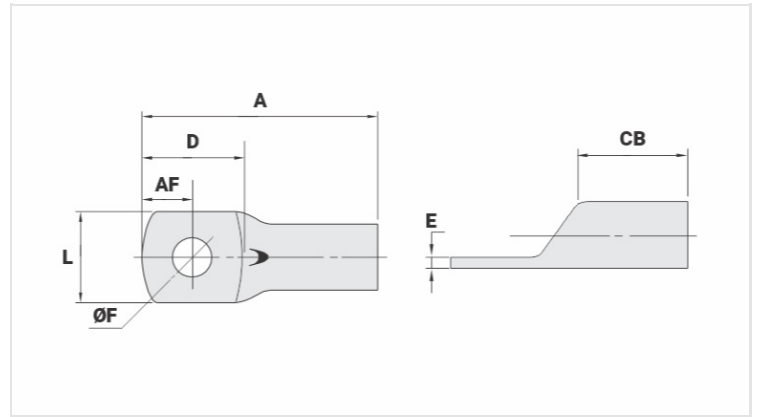
**Purpose:** Termination of copper conductors.

**Characteristics:** High electrical conductivity and corrosion resistance. Pad with several hole diameter options and optimum electrical contact.

**Applications:** Electrical panels, circuit breaker connections, motors, machines, busbars, electrical distribution boards, among others.

**Material:** Electrolytic copper.

**Finish:** Tin plated.



**Datasheet**

**Conductors - Cross Section (mm<sup>2</sup>)** 10

**Dimensions (mm)**

Hole Diameter (mm)	8,5
Screw*	
Inches	5/16
Metric	M8
L	12,0
A	27,6
CB	8,0
AF	7,0
D	15,0
E	1,5

**Current (A)** 101

**Application Tool**

Mechanical Pliers	
Model	AT-60/68
Die (AT-60)	IW-8
Hydraulic Pliers (AY/CY/AHM/AHB)	
Circunferencial Die	IU-8
Hexagonal Die	H-8

**Package**

Qty. / Package

100

Unit Weight (g)

2,30