

TM - COPPER COMPRESSION TERMINAL (ONE HOLE / SHORT BARREL)

TM-2,5

Description

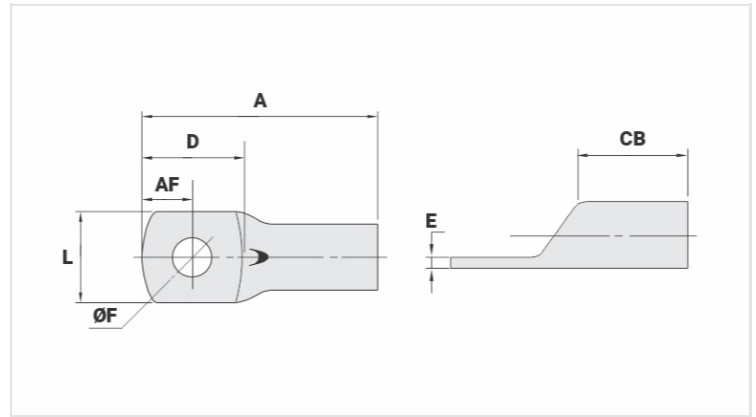
Purpose: Termination of copper conductors.

Characteristics: High electrical conductivity and corrosion resistance. Pad with several hole diameter options and optimum electrical contact.

Applications: Electrical panels, circuit breaker connections, motors, machines, busbars, electrical distribution boards, among others.

Material: Electrolytic copper.

Finish: Tin plated.



Datasheet

Conductors - Cross Section (mm²)

1 - 2,5

Dimensions (mm)

Diâmetro do Furo (mm)	5,2
Parafuso*	
Pol.	3/16
Métrico	M5
L	8,0
A	19,0
CB	5,5
AF	4,8
D	10,0
E	1,0

Current (A)

41

Application Tool

Alicate Mecânico	
Modelo	AT-10
Matriz (AT-60)	-
Alicate Hidráulico (AY-96 / CY-96)	
Matriz Circunf.	-
Matriz Hexagonal	-

Package

Qtd / Emb

100

Peso Unit. (g)

0,95