

**TM - COPPER COMPRESSION TERMINAL (ONE HOLE / SHORT BARREL)**

TM-150-17

**Description**

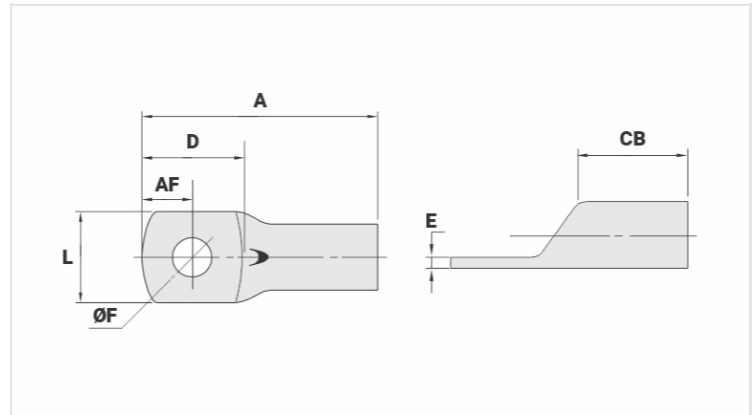
**Purpose:** Termination of copper conductors.

**Characteristics:** High electrical conductivity and corrosion resistance. Pad with several hole diameter options and optimum electrical contact.

**Applications:** Electrical panels, circuit breaker connections, motors, machines, busbars, electrical distribution boards, among others.

**Material:** Electrolytic copper.

**Finish:** Tin plated.



**Datasheet**

**Conductors - Cross Section (mm<sup>2</sup>)** 150

**Dimensions (mm)**

|                       |      |
|-----------------------|------|
| Diâmetro do Furo (mm) | 17,5 |
| Parafuso*             |      |
| Pol.                  | 1/2  |
| Métrico               | M12  |
| L                     | 30,0 |
| A                     | 67,0 |
| CB                    | 24,0 |
| AF                    | 13,0 |
| D                     | 29,5 |
| E                     | 3,6  |

**Current (A)** 577

**Application Tool**

|                                    |       |
|------------------------------------|-------|
| Alicate Mecânico                   |       |
| Modelo                             | -     |
| Matriz (AT-60)                     | -     |
| Alicate Hidráulico (AY-96 / CY-96) |       |
| Matriz Circunf.                    | IU-30 |
| Matriz Hexagonal                   | H-30  |

**Package**

Qtd / Emb

30

Peso Unit. (g)

53,40