

TM - COPPER COMPRESSION TERMINAL (ONE HOLE / SHORT BARREL)

TM-185-17

Description

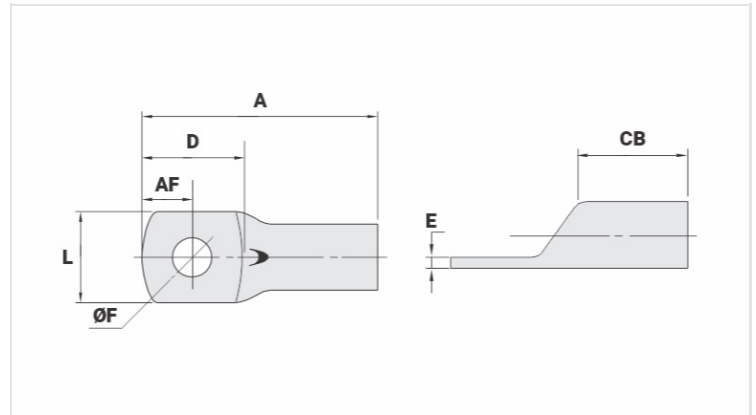
Purpose: Termination of copper conductors.

Characteristics: High electrical conductivity and corrosion resistance. Pad with several hole diameter options and optimum electrical contact.

Applications: Electrical panels, circuit breaker connections, motors, machines, busbars, electrical distribution boards, among others.

Material: Electrolytic copper.

Finish: Tin plated.



Datasheet

Conductors - Cross Section (mm²) 185

Dimensions (mm)

| | |
|-----------------------|------|
| Diâmetro do Furo (mm) | 17,5 |
| Parafuso* | |
| Pol. | 1/2 |
| Métrico | M12 |
| L | 32,4 |
| A | 68,5 |
| CB | 26,0 |
| AF | 13,5 |
| D | 29,5 |
| E | 3,8 |

Current (A) 661

Application Tool

| | |
|------------------------------------|-------|
| Alicate Mecânico | |
| Modelo | - |
| Matriz (AT-60) | - |
| Alicate Hidráulico (AY-96 / CY-96) | |
| Matriz Circunf. | IU-31 |
| Matriz Hexagonal | H-31 |

Package

Qtd / Emb

30

Peso Unit. (g)

63,00