

**TM - COPPER COMPRESSION TERMINAL (ONE HOLE / SHORT BARREL)**

TM-630-20

**Description**

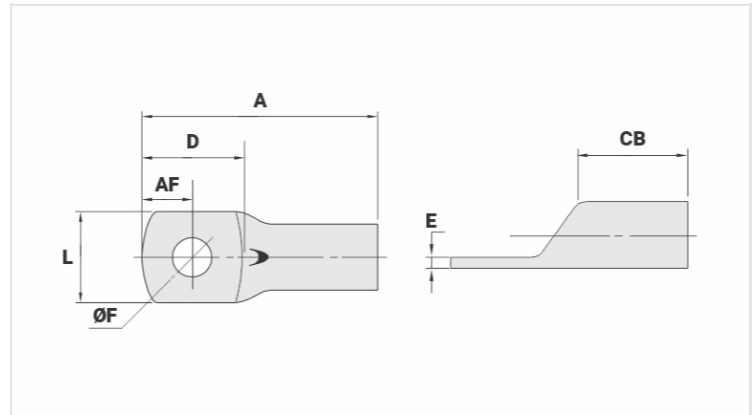
**Purpose:** Termination of copper conductors.

**Characteristics:** High electrical conductivity and corrosion resistance. Pad with several hole diameter options and optimum electrical contact.

**Applications:** Electrical panels, circuit breaker connections, motors, machines, busbars, electrical distribution boards, among others.

**Material:** Electrolytic copper.

**Finish:** Tin plated.



**Datasheet**

**Conductors - Cross Section (mm<sup>2</sup>)** 630

**Dimensions (mm)**

Diâmetro do Furo (mm)	20,0
Parafuso*	
Pol.	5/8
Métrico	M16
L	61,2
A	125,0
CB	50,5
AF	22,5
D	51,0
E	6,3

**Current (A)** 1454

**Application Tool**

Alicate Mecânico	
Modelo	-
Matriz (AT-60)	-
Alicate Hidráulico (AY-96 / CY-96)	
Matriz Circunf.	-
Matriz Hexagonal	-

**Package**

Qtd / Emb

6

Peso Unit. (g)

412,00