

**TM-L - COPPER COMPRESSION TERMINAL (ONE HOLE / LONG BARREL)**

TM-16-L

**Description**

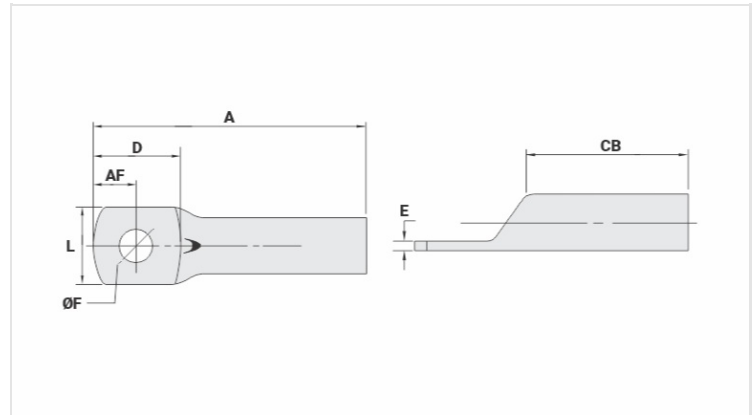
**Purpose:** Termination of copper conductors.

**Characteristics:** High electrical conductivity and corrosion resistance. Pad with several hole diameter options and optimum electrical contact.

**Applications:** Electrical panels, circuit breaker connections, motors, machines, busbars, electrical distribution boards, among others.

**Material:** Electrolytic copper.

**Finish:** Tin plated.



**Datasheet**

**Conductors - Cross Section (mm<sup>2</sup>)** 16

**Dimensions (mm)**

Hole Diameter (mm)	6,5
Screw*	
Inches	1/4
Metric	M6
L	11,3
A	37,5
CB	20,0
AF	6,0
D	13,5
E	2,0

**Current (A)** 137

**Application Tool**

Mechanical Pliers	
Model	AT-60/68
Die (AT-60)	IW-8
Hydraulic Pliers (AY/CY/AHM/AHB)	
Circunferencial Die	IU-8
Hexagonal Die	H-8

**Package**

Qty. / Package

50

Unit Weight (g)

6,70