

**TM-L - COPPER COMPRESSION TERMINAL (ONE HOLE / LONG BARREL)**

TM-240-L

**Description**

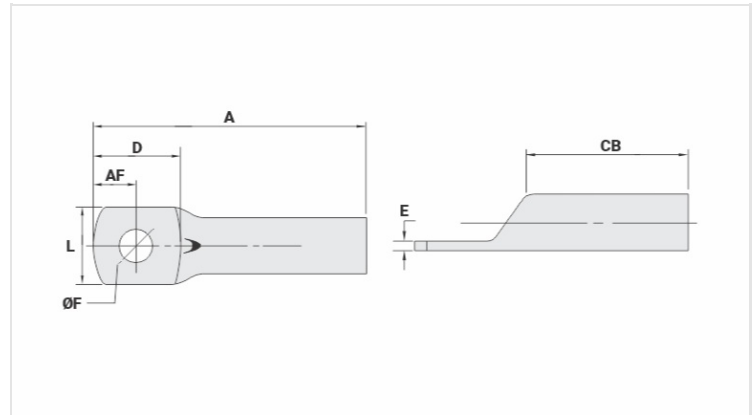
**Purpose:** Termination of copper conductors.

**Characteristics:** High electrical conductivity and corrosion resistance. Pad with several hole diameter options and optimum electrical contact.

**Applications:** Electrical panels, circuit breaker connections, motors, machines, busbars, electrical distribution boards, among others.

**Material:** Electrolytic copper.

**Finish:** Tin plated.



**Datasheet**

**Conductors - Cross Section (mm<sup>2</sup>)** 240

**Dimensions (mm)**

Hole Diameter (mm) 13,8

Screw\*

Inches 1/2

Metric M12

L 38,0

A 93,5

CB 43,0

AF 17,0

D 35,0

E 4,8

**Current (A)** 781

**Application Tool**

Mechanical Pliers

Model -

Die (AT-60) -

Hydraulic Pliers (AY/CY/AHM/AHB)

Circunferencial Die IU-34\*\*

Hexagonal Die H-34

**Package**

Qty. / Package

15

Unit Weight (g)

138,00