

TM-2 - COPPER COMPRESSION TERMINAL (TWO HOLES / SHORT BARREL)

TM-16-2

Description

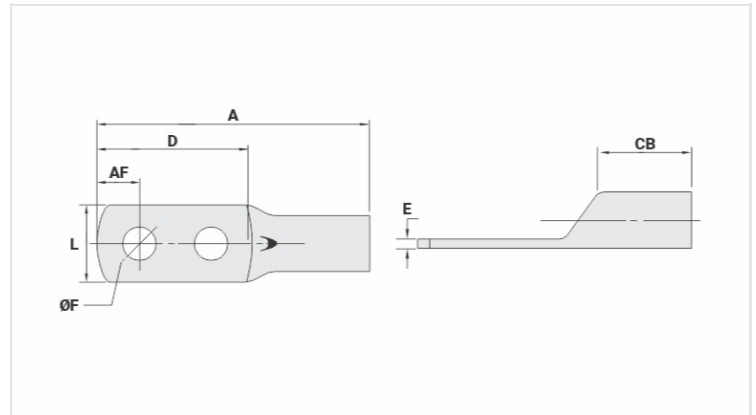
Purpose: Termination of copper conductors.

Characteristics: High electrical conductivity and corrosion resistance. Pad with several hole diameter options and optimum electrical contact.

Applications: Electrical panels, circuit breaker connections, motors, machines, busbars, electrical distribution boards, among others.

Material: Electrolytic copper.

Finish: Tin plated.



Datasheet

Conductors - Cross Section (mm²) 16

Dimensions (mm)

Hole Diameter (mm) 6,5

Screw*

Inches 1/4

Metric M6

L 11,3

A 43,5

CB 10,0

AF 6,0

D 29,5

E 2,0

Current (A) 137

Application Tool

Mechanical Pliers

Model AT-60/68

Die (AT-60) IW-8

Hydraulic Pliers (AY/CY/AHM/AHB)

Circunferencial Die IU-8

Hexagonal Die H-8

Package

Qty. / Package

50

Unit Weight (g)

7,40