

TAL - EXTRUDED ALUMINUM TERMINAL (ONE HOLE)

TAL-60

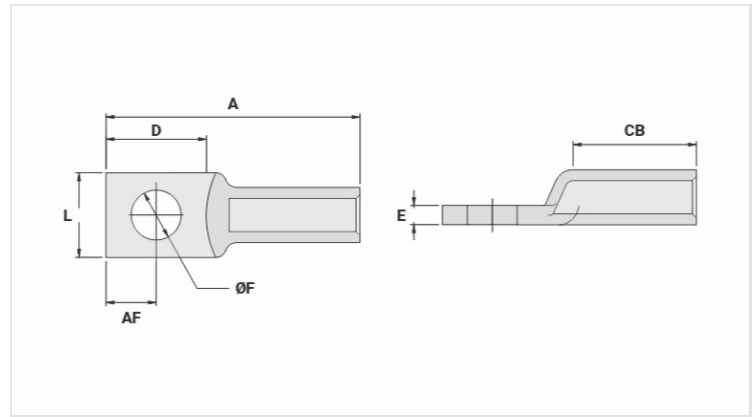
Description

Purpose: Cable to busbar termination for CA or CAA aluminum cables.

Characteristics: Compression connection. High electrical conductivity and resistance to corrosion.

Application: Power distribution lines.

Material: Extruded aluminum. Supplied with antioxidant compound INTELTROX.



Datasheet

Conductors

Compact AAC	120
AWG/MCM	
CA (aluminium cable)	4/0
ACSR/AW	4/0

Dimensions (mm)

Hole Diameter (mm)	14,0
Screw	
Inches	1/2
Metric	M12
L	32,0
A	92,0
CB	41,0
D	33,0
E	8,2
AF	16,0

Application Tool

Mechanical Pliers (AT-60 4t)	
Die	IW-249
Compressions	3
Hydraulic Pliers (AY/CY/AHM/AHB)	
Die	IU-249
Compressions	1

Package

Qty. / Package

25

Unit Weight (g)

60,40