

TCF - CAST COPPER TERMINAL

TCF-70-2

Description

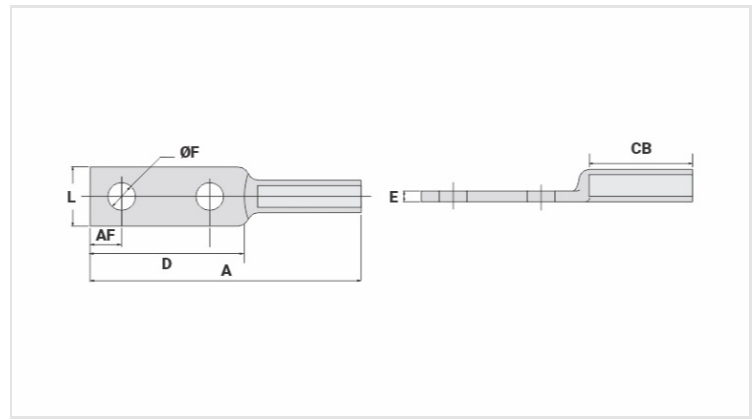
Purpose: Cable to busbar termination for copper cables.

Characteristics: Compression connection. High electrical conductivity and resistance to corrosion. Drilling per NEMA standard.

Application: Power distribution lines.

Material: Copper Alloy.

Finish: No Finishing. Supplied with antioxide compound INTELTROX-Cu.



Datasheet

Conductors - Cross Section (mm²) 70

Dimensions (mm)

Hole Diameter (mm)	14,0
Screw	
Inches	1/2
Metric	M12
L	30,0
A	137,0
CB	52,0
D	78,0
E	6,0
AF	16,0

Application Tool

Mechanical Pliers (AT-60 4t)	
Die	IW-245
Compressions	4
Hydraulic Pliers (AY/CY/AHM/AHB)	
Die	IU-245
Compressions	2

Package

Qty. / Package	40
----------------	----

