

## TBTA - BIMETALLIC COMPRESSION TERMINAL

TBTA-35-13

### Description

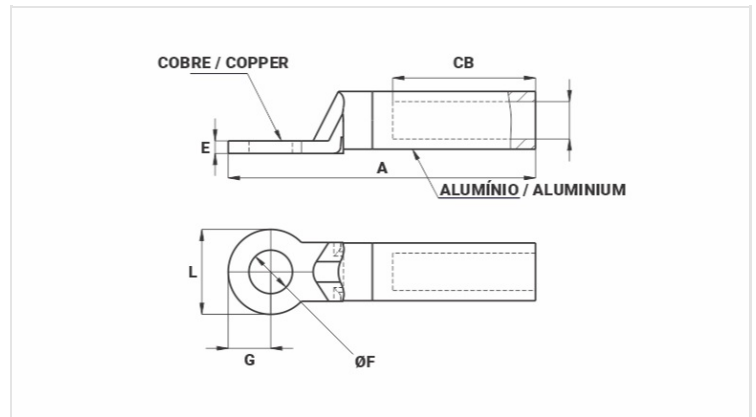
**Purpose:** Bimetallic cable to busbar termination (aluminum or ALUMOSTEEL cable to copper busbar).

**Characteristics:** Compression connection. Its construction (copper pad and aluminum barrel) prevents the formation of galvanic corrosion. Pad with one hole.

**Applications:** Power distribution lines.

**Material:** Electrolytic copper pad and extruded aluminum barrel. Supplied with antioxidant compound INTELTROX.

**Note:** For installation in regions of aggressive environments, it is recommended to use thermoset insulation or self-fusing tape in the connection.



### Datasheet

#### AAC Conductor

|                            |    |
|----------------------------|----|
| AWG/MCM                    | 2  |
| Compact (mm <sup>2</sup> ) | 35 |

#### Dimensions (mm)

|                    |      |
|--------------------|------|
| Hole Diameter (mm) | 13,0 |
| L                  | 25,0 |
| A                  | 89,0 |
| CB                 | 42,0 |
| E                  | 3,8  |
| G                  | 12,5 |

#### Application Tool

|                                     |      |
|-------------------------------------|------|
| Mechanical Pliers (AT-60 4t)        |      |
| Die (IW)                            | 163  |
| Qty. of Compressions                | 5    |
| Hydraulic Pliers (AY/CY/AHM/AHB)    |      |
| Die (IU)                            | 163  |
| Die (MH)                            | 163A |
| Qty. of Compressions                | 2    |
| Compressor+Head kit (CY-630 3m) 23t |      |
| Die (H)                             | -    |

Qty. of Compressions

-

**Package**

Qty. / Package

80

Unit Weight (g)

28,40