

## TBTA - BIMETALLIC COMPRESSION TERMINAL

TBTA-400-16

### Description

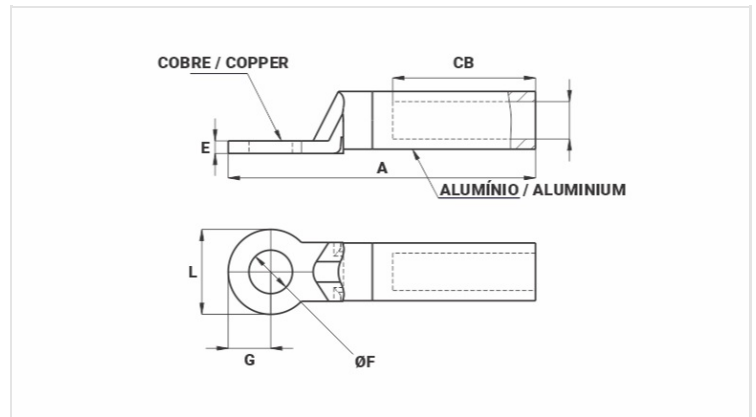
**Purpose:** Bimetallic cable to busbar termination (aluminum or ALUMOSTEEL cable to copper busbar).

**Characteristics:** Compression connection. Its construction (copper pad and aluminum barrel) prevents the formation of galvanic corrosion. Pad with one hole.

**Applications:** Power distribution lines.

**Material:** Electrolytic copper pad and extruded aluminum barrel. Supplied with antioxidant compound INTELTROX.

**Note:** For installation in regions of aggressive environments, it is recommended to use thermoset insulation or self-fusing tape in the connection.



### Datasheet

#### AAC Conductor

AWG/MCM	636
Compact (mm <sup>2</sup> )	400

#### Dimensions (mm)

Hole Diameter (mm)	16,5
L	36,0
A	143,0
CB	70,0
E	7,5
G	18,0

#### Application Tool

Mechanical Pliers (AT-60 4t)	
Die (IW)	-
Qty. of Compressions	-
Hydraulic Pliers (AY/CY/AHM/AHB)	
Die (IU)	-
Die (MH)	-
Qty. of Compressions	-
Compressor+Head kit (CY-630 3m) 23t	
Die (H)	G722H

Qty. of Compressions

2

**Package**

Qty. / Package

20

Unit Weight (g)

315,00