

TBTA - BIMETALLIC COMPRESSION TERMINAL

TBTA-400-13

Description

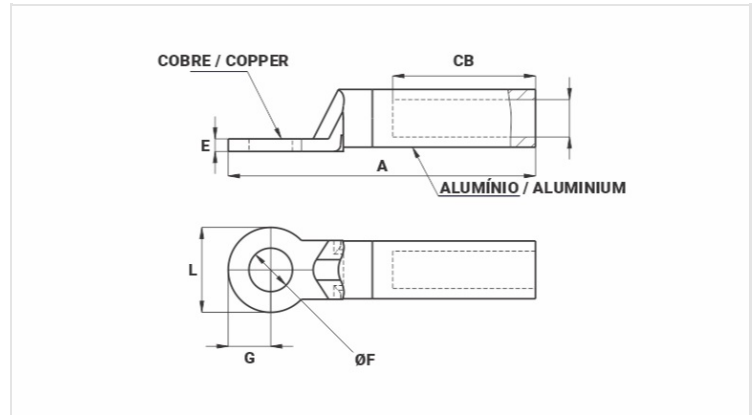
Purpose: Bimetallic cable to busbar termination (aluminum or ALUMOSTEEL cable to copper busbar).

Characteristics: Compression connection. Its construction (copper pad and aluminum barrel) prevents the formation of galvanic corrosion. Pad with one hole.

Applications: Power distribution lines.

Material: Electrolytic copper pad and extruded aluminum barrel. Supplied with antioxidant compound INTELTROX.

Note: For installation in regions of aggressive environments, it is recommended to use thermoset insulation or self-fusing tape in the connection.



Datasheet

AAC Conductor

AWG/MCM	636
Compact (mm ²)	400

Dimensions (mm)

Hole Diameter (mm)	13,0
L	36,0
A	143,0
CB	70,0
E	7,5
G	18,0

Application Tool

Mechanical Pliers (AT-60 4t)	
Die (IW)	-
Qty. of Compressions	-
Hydraulic Pliers (AY/CY/AHM/AHB)	
Die (IU)	-
Die (MH)	-
Qty. of Compressions	-
Compressor+Head kit (CY-630 3m) 23t	
Die (H)	G722H

Qty. of Compressions

2

Package

Qty. / Package

20

Unit Weight (g)

320,40