

TBB - BIMETALLIC TERMINAL FOR TERMINAL BLOCK

TBB-35-30

Description

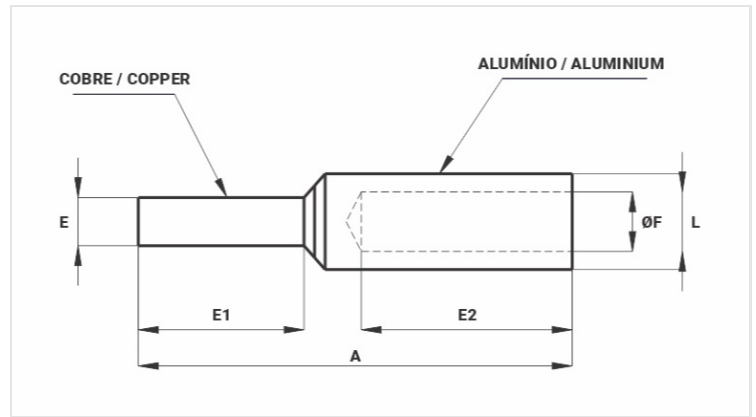
Purpose: Bimetallic termination cable-strip (aluminum cable to copper block). Connection on terminal block, transformer bushing, circuit breakers.

Characteristics: Compression connection. Its construction (copper pin and aluminum barrel) prevents galvanic corrosion.

Applications: Power distribution lines.

Material: Electrolytic copper pin and extruded aluminum barrel. Supplied with INTELTROX antioxidant compound.

Note: For installation in regions of aggressive climate, it is recommended to use thermoset insulation or self-fusing tape in the connection.



Datasheet

AAC Conductor

AWG/MCM	2
mm ²	35

Dimensions (mm)

L	13
A	80,0
E2	42,0
E	6,0
ØI	8,5

Application Tool

Mechanical Pliers (AT-60 4t)	
Die (IW)	163
Qty. of Compressions	5
Hydraulic Pliers (AY/CY/AHM/AHB)	
Die (IU)	163
Die (MH)	163A
Qty. of Compressions	2

Package

Qty. / Package	80
----------------	----

