

TA - TIGHTENING TERMINAL (SYMMETRIC SERIES)

TA-240

Description

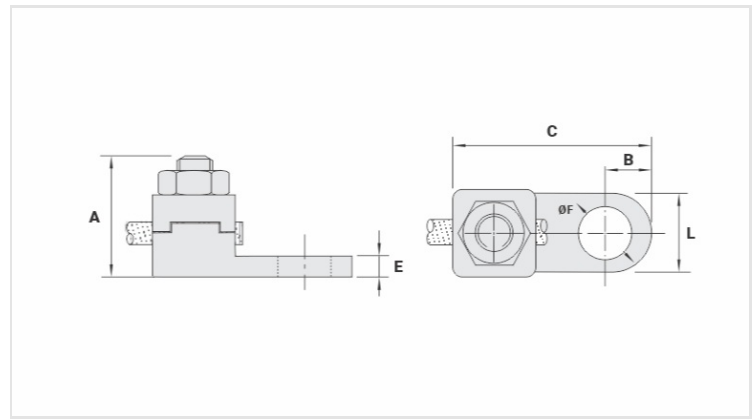
Purpose: Cable-busbar termination for copper cable (classes - 1/2/3). Connection to busbars, switchboards, electrical panels and others.

Characteristics: Mechanical pressure connection. Pad with one hole.

Application: Electrical installations in general (residential, building, industrial).

Material: Copper alloy terminal, electrolytic zinc plated steel nut.

Application Tool: Star or open-ended wrench.



Datasheet

Conductor

mm ²	240
AWG/MCM	500

Screw

Inches	9/16
Metric	M14

Dimensions (mm)

L	30,0
A	50,0
C	69,0
B	15,0
E	6,5
ØF	15,5

Package

Qty. / Package	10
Unit Weight (g)	252,60