

LF - SPLICE SLEEVE FOR COPPER CABLES (LOW TRACTION)

LF-300

Description

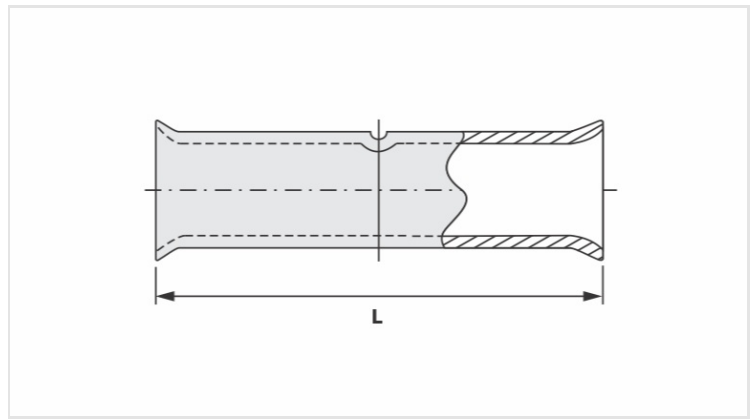
Purpose: Rigid or flexible copper cable splice (low traction).

Characteristics: Compression connection. High electrical conductivity and corrosion resistance. Expanded shape ends for easy insertion of flexible conductors. With center wire stop.

Application: Electrical installations in general (residential, building, industrial).

Material: Electrolytic copper.

Finish: Tin plated.



Datasheet

Conductors - Cross Section (mm²)	300
Current (A)	902
Dimension (mm) - L	76,0
Application Tool	
Mechanical Pliers	
Model	-
Die (AT-60)	-
Hydraulic Pliers (AY/CY/AHM/AHB)	
Circunferencial Die	IU-36
Hexagonal Die	H-36
Package	
Qty. / Package	10
Unit Weight (g)	135,00