

TP - RING TYPE PRE-INSULATED TERMINALS

TP-6-4

Description

Purpose: Termination of rigid or flexible copper cables.

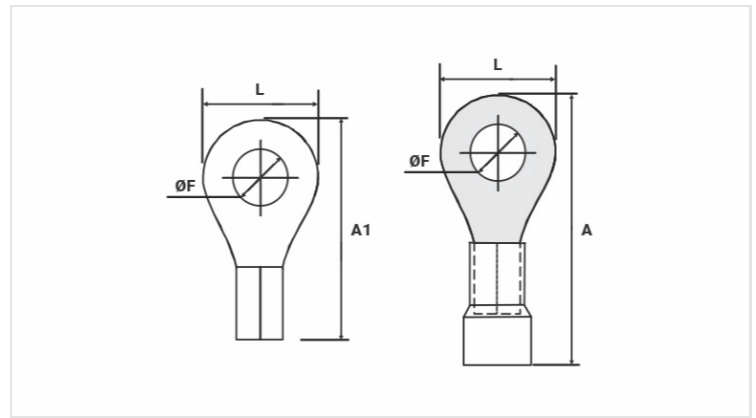
Characteristics: Compression connection. High electrical conductivity and corrosion resistance.

Application: Electrical installations in general (residential, building, industrial). Circuits up to 70°C and 750V.

Material: Electrolytic copper and insulation in rigid PVC.

Finish: Tin plated and insulated.

Application Tool: AT-10 or ATC-6.



Datasheet

Insulation per DIN Standard (Color)	AMARELO
Conductor	
AWG/MCM	12 - 10
mm ²	4 - 6
Dimensions (mm)	
L	7,3
A	22,7
ØF	4,3
A1	16,0
Maximum Current (A)	48
Package	
Qty. / Package	100
Unit Weight (g)	1,80