

TPT - TUBULAR RING TYPE PRE-INSULATED TERMINALS

TPT-50-13

Description

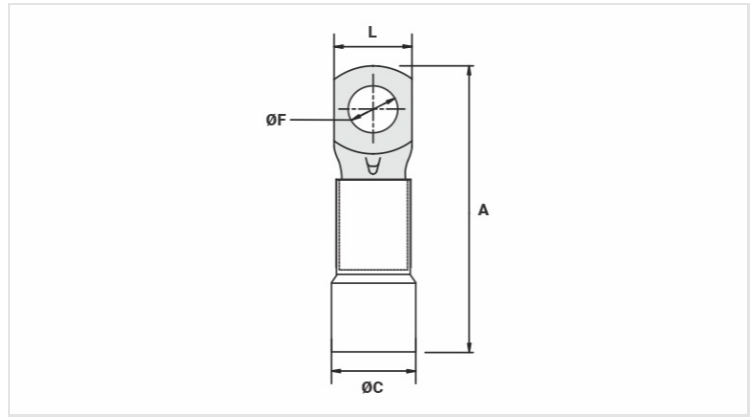
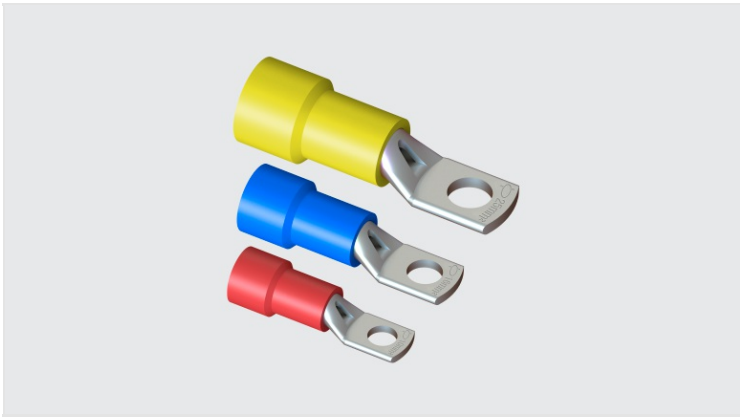
Purpose: Termination of rigid or flexible copper cables.

Characteristics: Compression connection. High electrical conductivity and corrosion resistance.

Application: Electrical installations in general (residential, building, industrial). Circuits up to 90°C and 750V.

Material: Electrolytic copper and polypropylene insulation.

Finish: Tin plated and insulated. Application Tool: ATP-49.



Datasheet

| | |
|----------------------------------------------------|-------|
| Insulation per DIN Standard (Color) | AZUL |
| Conductors - Cross Section (mm²) | 50 |
| Dimensions (mm) | |
| L | 18,0 |
| A | 57,0 |
| C | 12,4 |
| ØF | 13,0 |
| Maximum Current (A) | 219 |
| Package | |
| Qty. / Package | 50 |
| Unit Weight (g) | 16,16 |