

TPT - TUBULAR RING TYPE PRE-INSULATED TERMINALS

TPT-70-10

Description

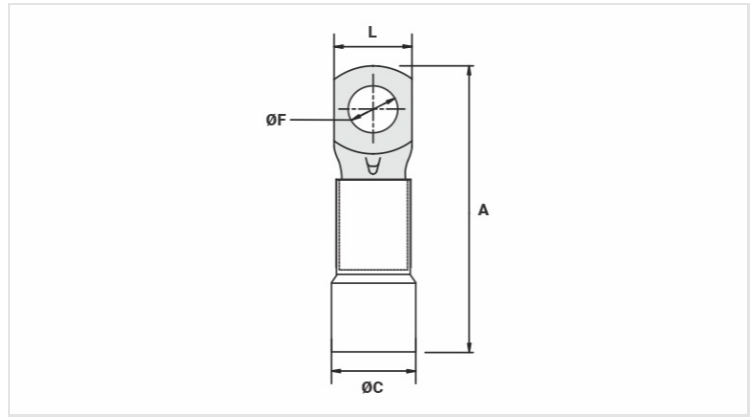
Purpose: Termination of rigid or flexible copper cables.

Characteristics: Compression connection. High electrical conductivity and corrosion resistance.

Application: Electrical installations in general (residential, building, industrial). Circuits up to 90°C and 750V.

Material: Electrolytic copper and polypropylene insulation.

Finish: Tin plated and insulated. Application Tool: ATP-49.



Datasheet

Insulation per DIN Standard (Color)	AMARELO
Conductors - Cross Section (mm²)	70
Dimensions (mm)	
L	20,3
A	65,0
C	14,0
ØF	10,5
Maximum Current (A)	281
Package	
Qty. / Package	50
Unit Weight (g)	23,67