

TPF - FORK TYPE PRE-INSULATED TERMINALS

TPF-2,5-5

Description

Purpose: Termination of rigid or flexible copper cables.

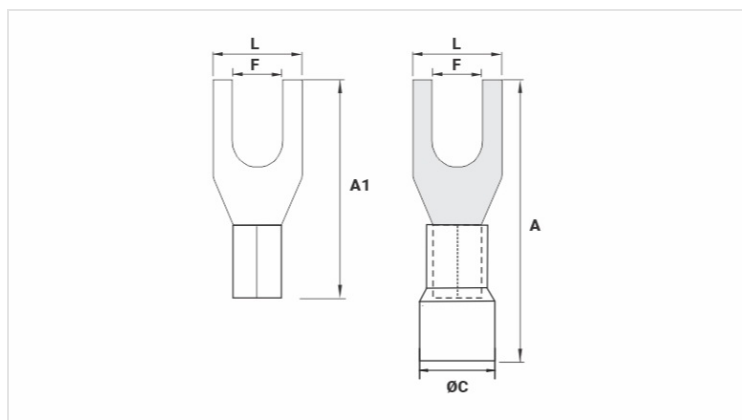
Characteristics: Compression connection. High electrical conductivity and corrosion resistance.

Application: Electrical installations in general (residential, building, industrial). Circuits up to 90°C and 750V.

Material: Electrolytic copper and polypropylene insulation.

Finish: Tin plated and insulated.

Application Tool: AT-10 or ATC-6.



Datasheet

Insulation per DIN Standard (Color)

AZUL / BLUE

Conductor

AWG/MCM

16 - 14

mm²

1,5 - 2,5

Dimensions (mm)

L

8,0

A

21,5

Ø C

6,0

F

5,2

A1

16,0

Maximum Current (A)

27

Package

Qty. / Package

100

Unit Weight (g)

0,80