

ACB / ACH / ACB-E - STIRRUPS FOR CONNECTORS

ACB-35

Description

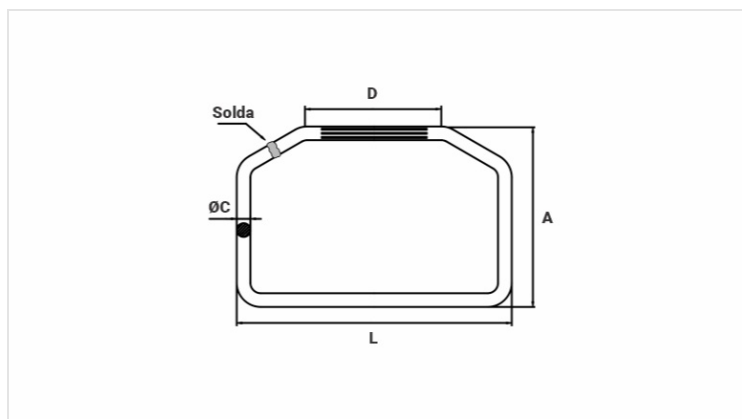
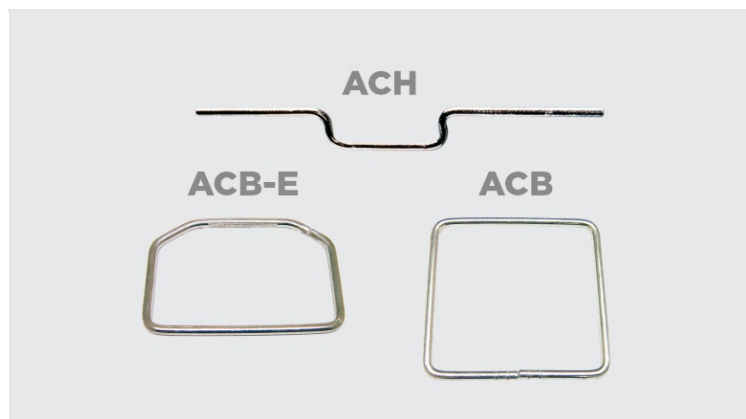
Purpose: Connection between CA, CAA aluminum or copper cables with wedge, compression and hotline clamp connector.

Characteristics: Connection can be by tightening, compression or spring system. High electrical conductivity and corrosion resistance. Stirrups designed for perfect adaptation with connectors / clamps such as CAH, CAC, CDC, CADC, GLV, among others.

Application: Power distribution lines.

Material: Electrolytic copper.

Finish: Tin plated



Datasheet

Cross Section

AWG/MCM	2
mm ²	35

Figure	2
---------------	---

Dimensions

L	113,0
A	83,0
Ø C	6,5
D	70,0
E	-
F	-

Package

Qtd / Emb	25
Peso Unit. (g)	103,00