

ACB / ACH / ACB-E - STIRRUPS FOR CONNECTORS

ACB-38-E

Description

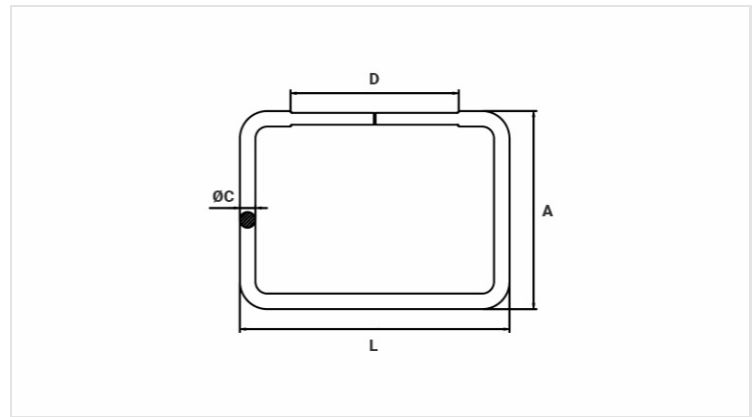
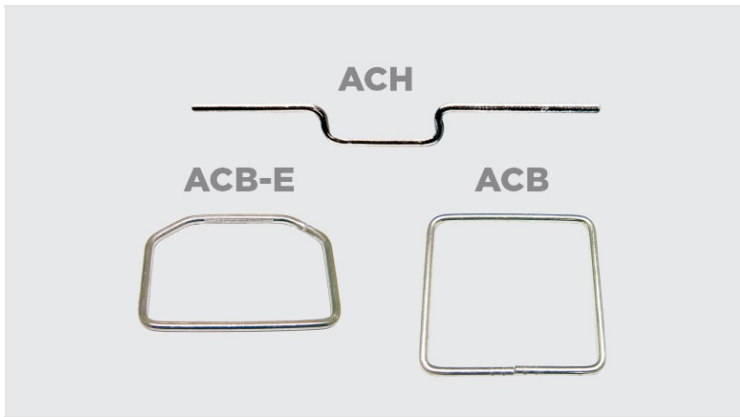
Purpose: Connection between CA, CAA aluminum or copper cables with wedge, compression and hotline clamp connector.

Characteristics: Connection can be by tightening, compression or spring system. High electrical conductivity and corrosion resistance. Stirrups designed for perfect adaptation with connectors / clamps such as CAH, CAC, CDC, CADC, GLV, among others.

Application: Power distribution lines.

Material: Electrolytic copper.

Finish: Tin plated



Datasheet

Cross Section

AWG/MCM 2

mm² 35

Figure 3

Dimensions

L 131,0

A 86,0

Ø C 6,5

D 70,0

E -

F -

Package

Qtd / Emb 25

Peso Unit. (g) 110,00