

ACB / ACH / ACB-E - STIRRUPS FOR CONNECTORS

ACB-60 (PADRÃO CEMIG/CPFL)

Description

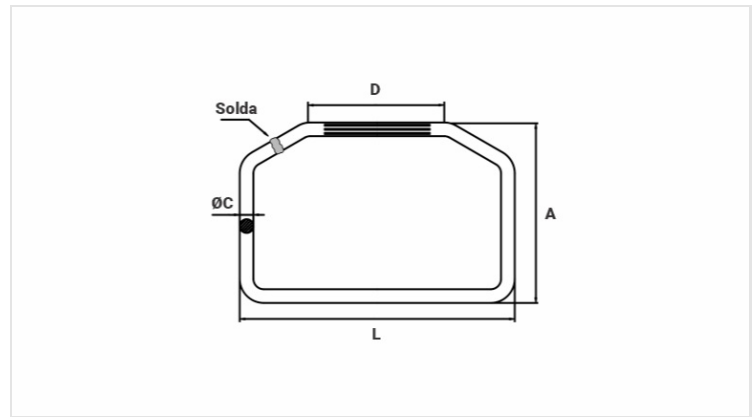
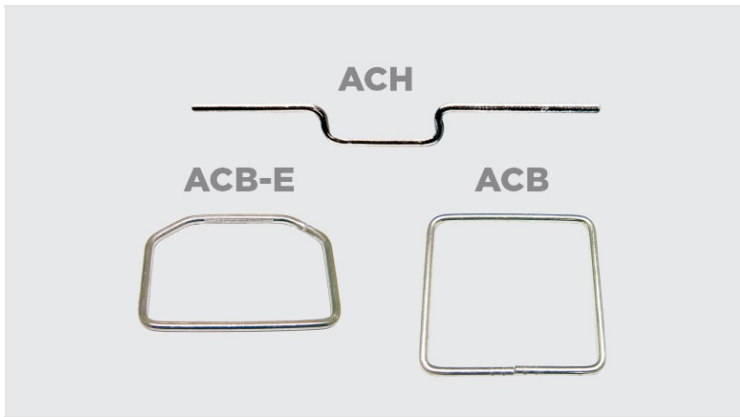
Purpose: Connection between CA, CAA aluminum or copper cables with wedge, compression and hotline clamp connector.

Characteristics: Connection can be by tightening, compression or spring system. High electrical conductivity and corrosion resistance. Stirrups designed for perfect adaptation with connectors / clamps such as CAH, CAC, CDC, CADC, GLV, among others.

Application: Power distribution lines.

Material: Electrolytic copper.

Finish: Tin plated



Datasheet

Cross Section

AWG/MCM 4/0

mm² 120

Figure 2

Dimensions

L 143,4

A 120,0

Ø C 11,8

D -

E -

F -

Package

Qtd / Emb 20

Peso Unit. (g) 423,20