

**CDP - PIERCING CONNECTOR**

CDP-120-120

**Description**

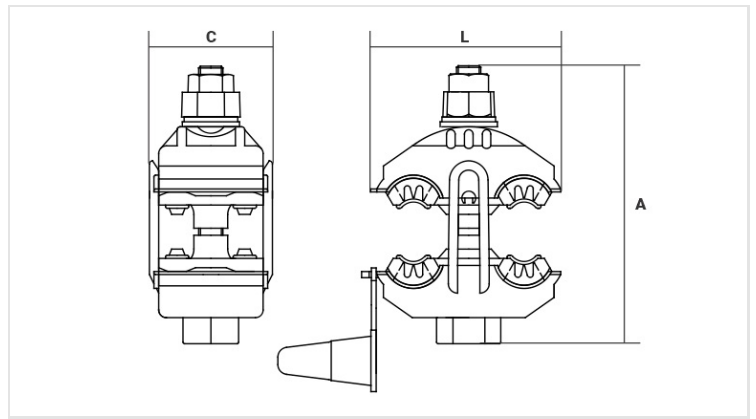
**Purpose:** Tap of Insulated Cables, suitable for combinations aluminum to aluminum, aluminum to copper and copper to copper in overhead power distribution lines (low voltage up to 1kV).

**Characteristics:** Insulation piercing connection (no stripping of cable insulation required). Used with 0.6/1kV XLPE/PE insulated aluminum cables or 450/750v PVC insulated cables (without cover). It has a fuse nut to ensure a perfect connection. It has elastomeric rubbers, making the connector watertight.

**Application:** Overhead insulated power distribution lines.

**Material:** Polymer connector resistant to weather and U.V. rays. Tin plated copper contacts.

**Application Tool:** Star or socket wrench.



**Datasheet**

**Conductors**

Run	
mm <sup>2</sup>	25 - 150
AWG/MCM	4 - 300
Tap	
mm <sup>2</sup>	25 - 150
AWG/MCM	4 - 300

**Figure** 2

**Dimensions (mm)**

L	60,0
A	87,0
C	33,0

**Package**

Qty. / Package	60
Unit Weight (g)	155,40