

CDP - PIERCING CONNECTOR

CDP-240-240

Description

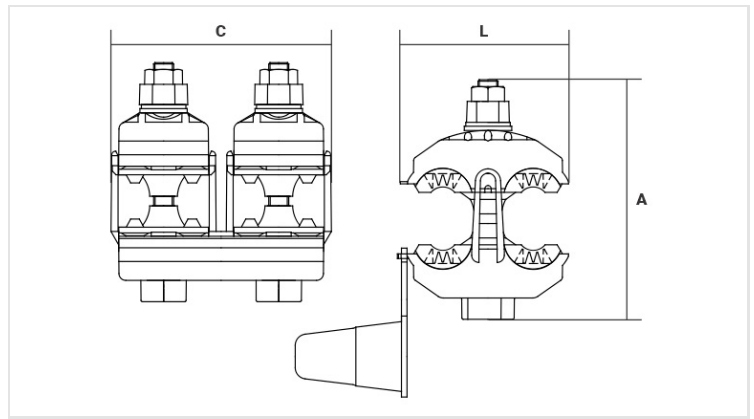
Purpose: Tap of Insulated Cables, suitable for combinations aluminum to aluminum, aluminum to copper and copper to copper in overhead power distribution lines (low voltage up to 1kV).

Characteristics: Insulation piercing connection (no stripping of cable insulation required). Used with 0.6/1kV XLPE/PE insulated aluminum cables or 450/750v PVC insulated cables (without cover). It has a fuse nut to ensure a perfect connection. It has elastomeric rubbers, making the connector watertight.

Application: Overhead insulated power distribution lines.

Material: Polymer connector resistant to weather and U.V. rays. Tin plated copper contacts.

Application Tool: Star or socket wrench.



Datasheet

Conductors

Run	
mm ²	70 - 240
AWG/MCM	2/0 - 477
Tap	
mm ²	70 - 240
AWG/MCM	2/0 - 477

Figure 2

Dimensions (mm)

L	60,0
A	93,0
C	82,0

Package

Qty. / Package	25
Unit Weight (g)	380,00