

CDPF - PIERCING CONNECTOR FOR FLEXIBLE CONDUCTORS

CDPF-120-150

Description

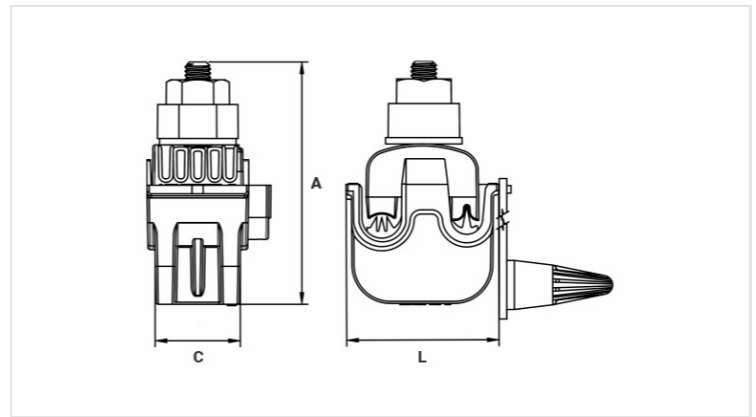
Purpose: Connection between input branch (Flexible copper cable Class-4/5 - PVC insulation 450 / 750v without cover) and connection branch (multiplexed CA aluminum conductors - XLPE / PE 0.6 / 1kV - phase and neutral (insulated or bare)).

Characteristics: Connection by piercing (no need to strip the insulation from the cable). It has a shear head nut to ensure a perfect connection. It has compensation springs that ensure a constant pression in the connection.

Application: Overhead insulated electricity distribution networks.

Material: Polymer connector resistant to weather and U.V rays. Tin plated copper contacts.

Application Tool: Star or socket wrench.



Datasheet

Conductors

Principal - CA/Cu - Classe2 (mm ²)	50 - 120 95 - 120
Derivação - Cu- Classe 4/5 (mm ²)	120 - 150 95 - 120

Dimensions (mm)

L	80,0
A	125,0
C	66,0

Package

Qtd / Emb	8
Peso Unit. (g)	503,00