

**GTSB2C - GROUNDING CLAMPS (2 CONDUCTORS)**

GTSB2C-8-4

**Description**

**Purpose:** Cable to busbar connections. Suitable for copper or COPPERSTEEL cables.

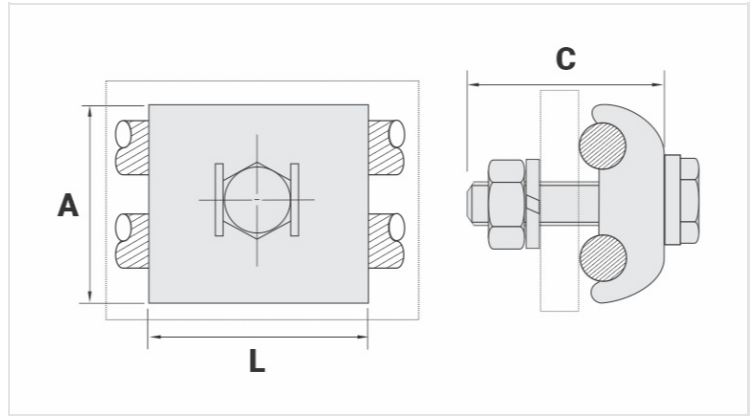
**Characteristics:** Tightening connection. Electrical conductivity and corrosion resistant. Two conductors model. Screw length suitable for plate / bar thickness up to 7mm.

**Application:** Grounding systems in general (power distribution systems, grounding grids, residential, building, industrial grounding, grounding in telecommunications networks).

**Material:** Bronze clamp, fittings in copper alloy or hot galvanized steel.

**Application Tool:** Spanner set or open-ended wrench.

\*Also available tin plated.



**Datasheet**

**Conductor**

AWG/MCM

8 - 4

mm<sup>2</sup>

10 - 25

**Dimensions (mm)**

L

35,0

A

33,0

C

45,0

Parafuso - E

M10

Figura

2

**Package**

Qtd / Emb

30

Peso Unit. (g)

101,00