

**GTSB2C - GROUNDING CLAMPS (2 CONDUCTORS)**

GTSB2C-2/0-250

**Description**

**Purpose:** Cable to busbar connections. Suitable for copper or COPPERSTEEL cables.

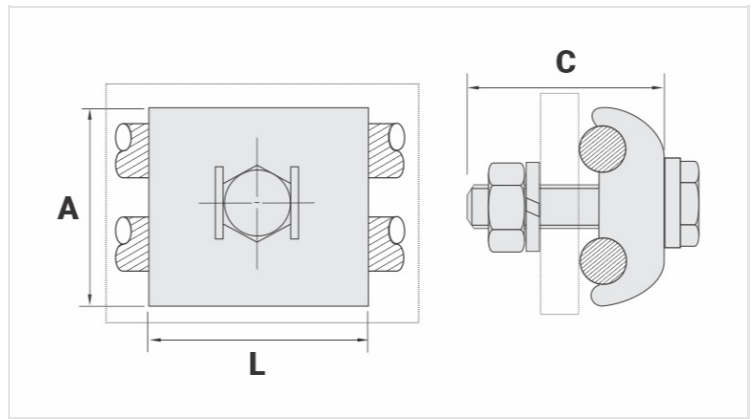
**Characteristics:** Tightening connection. Electrical conductivity and corrosion resistant. Two conductors model. Screw length suitable for plate / bar thickness up to 7mm.

**Application:** Grounding systems in general (power distribution systems, grounding grids, residential, building, industrial grounding, grounding in telecommunications networks).

**Material:** Bronze clamp, fittings in copper alloy or hot galvanized steel.

**Application Tool:** Spanner set or open-ended wrench.

\*Also available tin plated.



**Datasheet**

**Conductor**

AWG/MCM	2/0 - 250
mm <sup>2</sup>	70 - 120

**Dimensions (mm)**

L	41,0
A	54,0
C	50,0

Parafuso - E M12

Figura 2

**Package**

Qtd / Emb	15
Peso Unit. (g)	241,00